

# Dost lounge

A hug for your home.



puik



Darkgrey  
Camira Era - CSE44  
Black frame - RAL 9005



Lightgrey  
Camira Era - CSE46  
Black frame - RAL 9005



Lilac grey  
Camira Era - CSE23  
Cream frame - RAL 9010



Pink  
Camira Era - CSE19  
Cream frame - RAL 9010



Darkgreen  
Camira Era - CSE35  
Black frame - RAL 9005



Lightgreen  
Camira Era - CCSE37  
Black frame - RAL 9005



Terracotta  
Camira Era - CSE29  
Black frame - RAL 9005



Ivory  
Camira Era - CSE01  
Cream frame - RAL 9010

**Fabric information:**

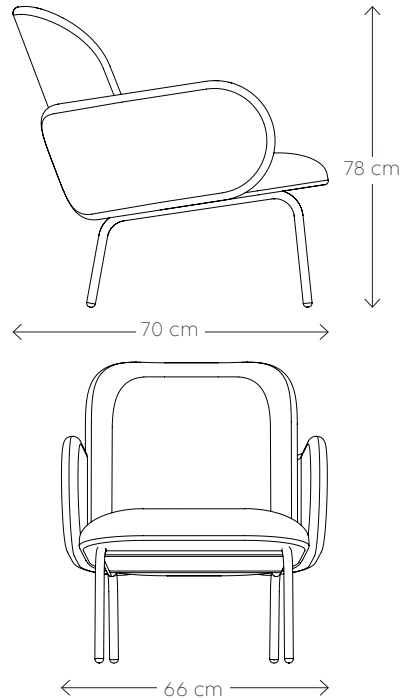
Fabric brand, Camira Era  
Standard, 8 colours  
Composition, 100% polyester  
Fabric weight, 325 gram/m2  
Martin Dale, 100.000

**Fireproof:**

EN 1021 - 1  
EN 1021 - 2  
Fabric BS 7176  
Fireproof foam

## Product information:

Steel, wood, camira fabric  
Steel frame 25mm  
PVC leg pads, anti slip  
Seating height 45cm  
Arm height 62cm  
Made in Istanbul, Turkey  
Shipment in 6-8 weeks  
Designed by Rianne Koens  
In collection since 2016



## Dost lounge

**A hug for your home.**

Named for the native word meaning 'friendship', the Dost wool lounge chair was inspired by one of our most basic human needs: comfort. This inviting, cosy chair has been designed to provide a sense of solace and safety.